



Sorenson Lighted Controls
Illuminating Innovation™

64 Series

New Product Release



The new 64 Series splash proof indicator light mounts securely to the panel with an O-ring, lock washer, and hex nut to provide a weatherproof seal in a .375 mounting hole. The 64 Series is available in 2 VDC to 250 VAC ratings and illumination is produced with LED, incandescent or neon lamps. Terminations are .187 quick connect or 6" wire leads, special lengths available.

The 64 Series is supplied with all the popular lenses found on our 28, 29 and 30 Series indicators in red, amber, clear, green white and blue. Stainless steel bezels are specified for an attractive look against the front panel.

The new 64 Series is a rugged splash proof indicator that is ideal for harsh environments such as found on food equipment, machinery, and outdoor applications where moisture is present. UL Pending.

Typical Applications

- Food preparation equipment
- Transportation
- Marine Panels
- Commercial dishwashing equipment
- Industrial machinery
- Floor care machinery
- Emergency vehicles
- RV's

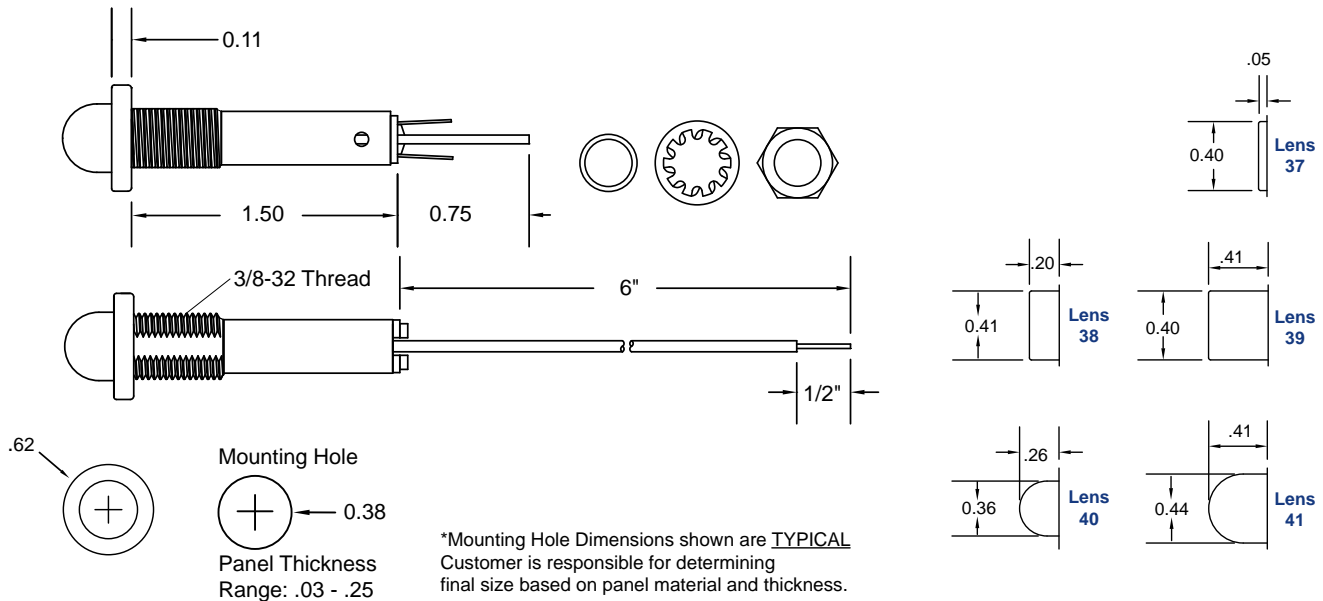
For Information:

800.275.7089 • 860.527.3092
sales@solico.com • www.solico.com

64 SERIES Revised Aug 2010

Technical Data

- Fits into 0.375 panel hole
- LED, Incandescent and Neon illumination
- Splash proof design
- Supplied with hex nut, lockwasher and O-Ring seal
- Many Lens styles available
- Body Material: Nylon
- Lens Material: Polycarbonate
- Bezel Material: Stainless Steel
- Wire Gauge: 20ga
- Wire Strip 1/2"



Cross Reference Info: CML/IDI - 6010 Series LCD/Leecraft - 75 Series

Series	Lamp			Termination		Base		Bezel		Lens			
XX	XX	-	X	-	X	X	-	XXX	X	0			
	Voltage	Type	Code	Style	Code	Color	Code	Finish	Code	Style	Code	Color	Plain
64	2	LED	10	Wire	1	White	1	Stainless	2	.09 Cylinder Translucent ¹	371	Red	1
	6	LED	11	.187 Tabs	3					.09 Cylinder Diamond	373	Amber	2
	14	LED	12							.09 Cylinder Rings	376	Clear ²	3
	28	LED	13							.25 Cylinder Translucent ¹	381	Green	4
	125	LED	15							.25 Cylinder Diamond	383	Blue	5
	250	LED	16 ³							.25 Cylinder Rings	386	White	6
										.46 Cylinder Translucent ¹	391	Yellow	8
	6	INCAND	32							.46 Cylinder Diamond	393		
	14	INCAND	35							.46 Cylinder Rings	396	Color	Marked
	28	INCAND	39							Small Dome Translucent ¹	401	Red	A
										Small Dome Lines	405	Amber	B
	125	NEON	50							Large Dome Translucent ¹	411	Clear ²	C
	250	NEON	52							Large Dome Rings	416	Green	D
		Special	XX							Flush Lens w. Tapered Bezel	626	Blue	E
												White	F
												Yellow	H

Notes:

1. Translucent Lens is not recommended for use with LED
2. Specify LED Color if applicable
3. Wire Leads only